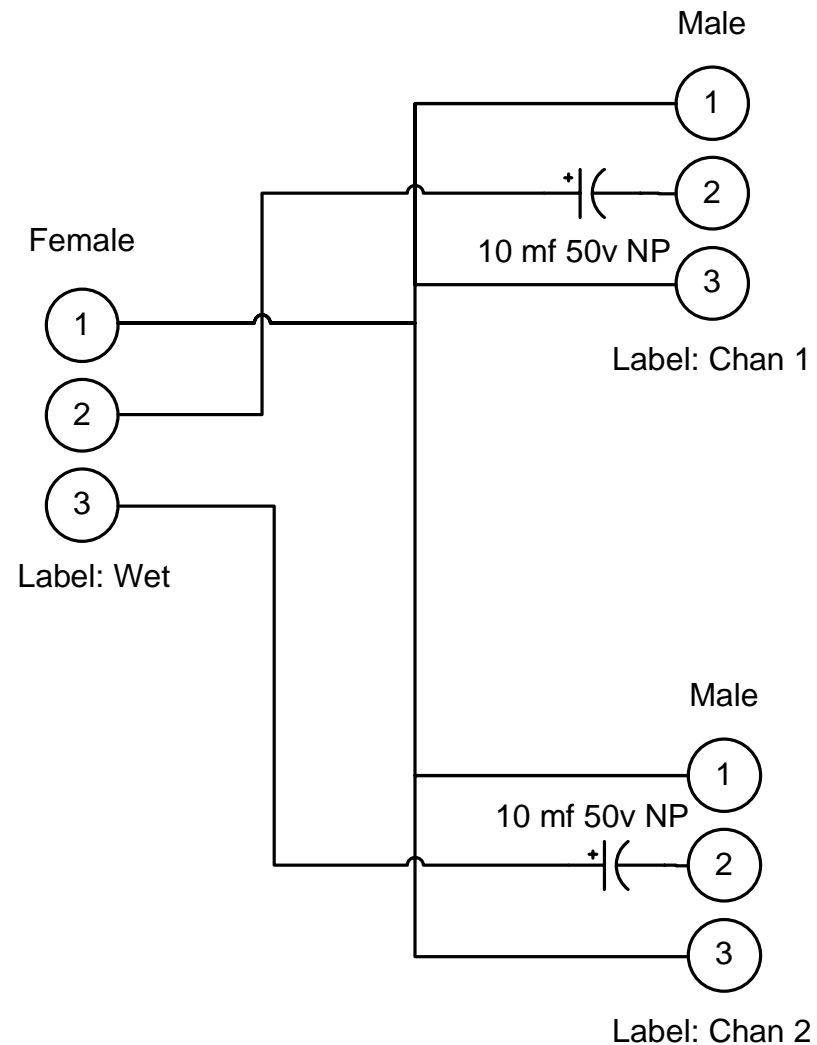


# simple audio only adapter

Use with IL-19 on male ends

Made from a standard xlr Y cable put the capacitors inside the male connectors

Use 10mf 50V caps. Preferably Non polarized but if not put the positive towards the female connector



Revisions			 <b>best audio</b> 320 Seventh Avenue, #264 Brooklyn, NY 11215 917-750-1134	Intercom Adapters	
Designer: Pete Erskine			SCALE: None	Drawn by: Pete Erskine	Drawing Number <b>1</b>
			DATE: Feb 22, 2004		