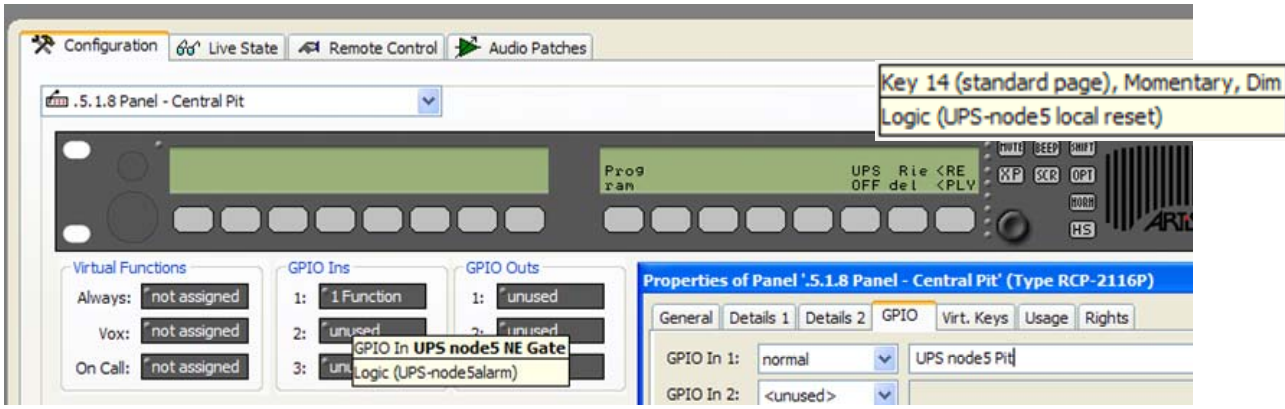
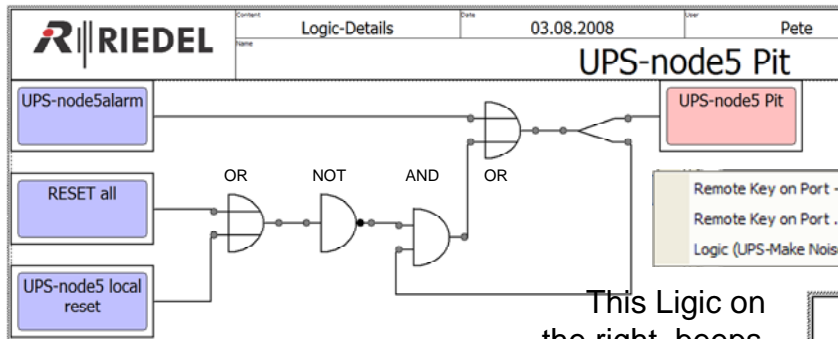


Define a GPIO #1 on the panel where the UPS monitor will be attached and have it trigger the Source logic for your alarm



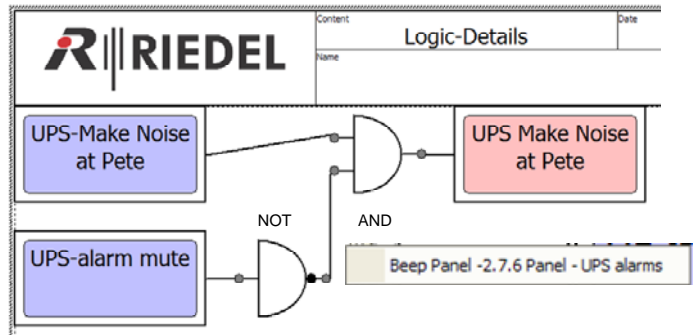
This logic, below, locks the alarm on when triggered until the alarm is manually reset either at the main control (Master reset) or locally on the panel in the local node (Central Pit in this example).



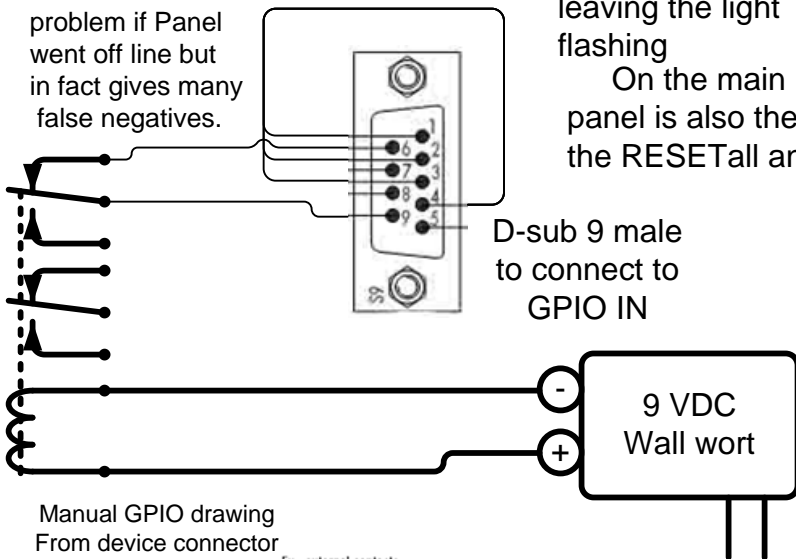
Program the logic destination to flash the key locally and on the remote monitor panel (UPS alarms) as well as to make noise on the same panel.

This powered relay is used to trigger the UPS alarm. It is plugged into the input side of the UPS power. The N/C connection is used to trigger the GPIO when power is lost. N/O contact would seem to be the better solution which would indicate problem if Panel went off line but in fact gives many false negatives.

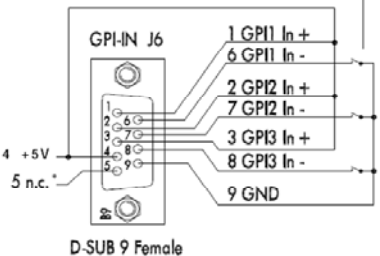
This Logic on the right, beeps the main UPS panel and provides for a mute of the alarm while leaving the light flashing



On the main UPS alarm panel, the P-P button for the pit node panel is also the button which is flashed by the logic above. Note the RESETall and Alarm ON buttons below.



Manual GPIO drawing From device connector perspective



Revisions	

best audio
 320 Seventh Avenue, #264
 Brooklyn, NY 11215
 917-750-1134

UPS alarm system Beijing Olympics

Designer: Pete Erskine

SCALE None

Drawn by: Pete Erskine

DATE: Aug 3, 2008

Drawing Number

1