

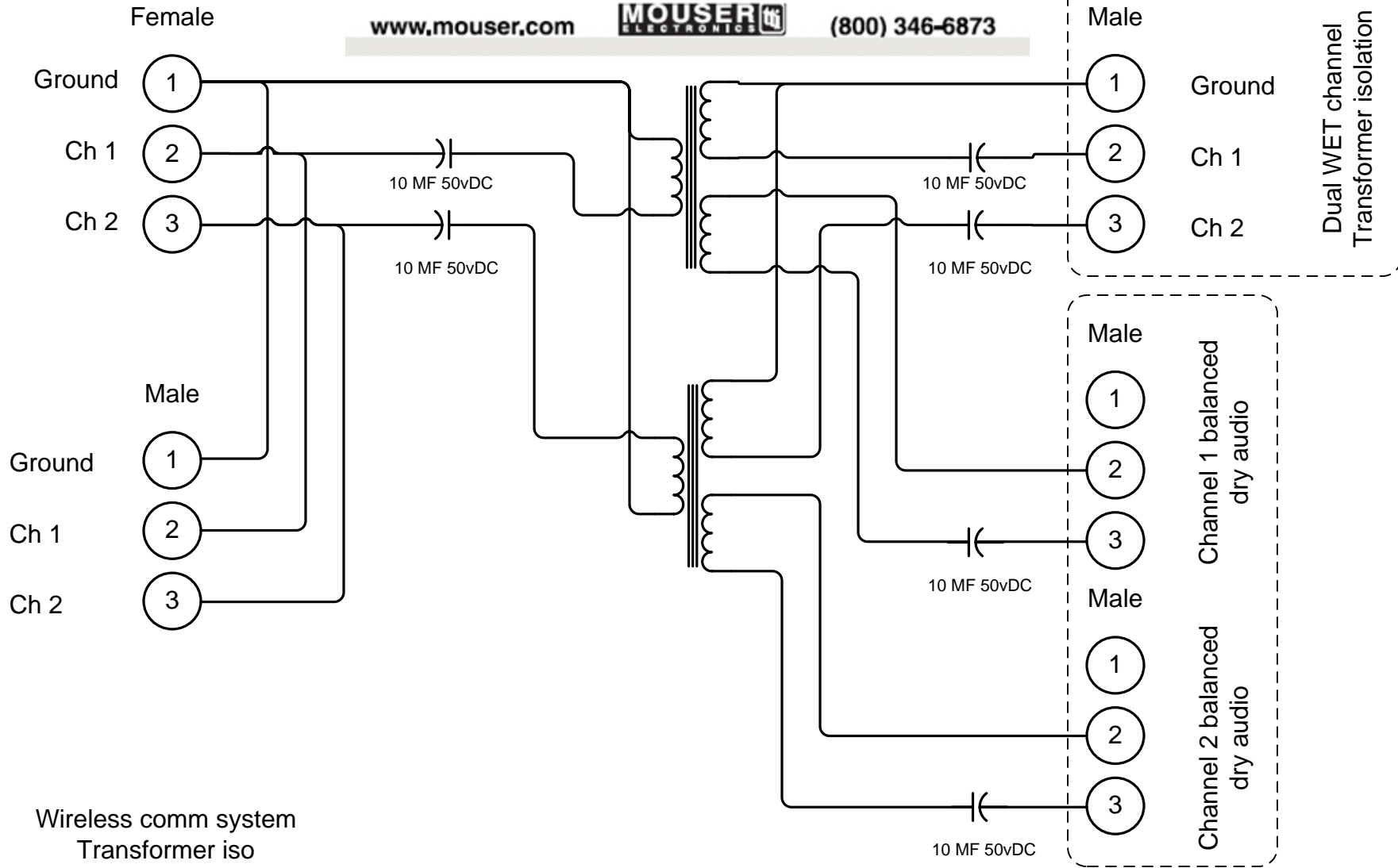
This end from RTS or Clear-Com intercom system

Dual Secondaries with PC Leads

Core Type EI-19, 200mW Max Output							
42TM028	D	600 CT	600/600	78	65/60	Coupling	1.73
Ultriminiature Core Type EI-14, 75mW Max Output							
42TL028	B	600 CT	600/600	78	56/56	Coupling	1.46

This end to BTR800
2 wire input

www.mouser.com **MOUSER** ELECTRONICS (800) 346-6873



Wireless comm system
Transformer iso
for 2 wire input usage
to eliminate ground loops

Adaptor also provides dry
balanced audio access to
each comm channel

Revisions		

best audio
320 Seventh Avenue, #264
Brooklyn, NY 11215
917-750-1134

Intercom Adapters

System ground iso with dry winding

Designer: Pete Erskine

SCALE None

Drawn by: Pete Erskine

DATE: Apr 14, 2005

Drawing
Number

1