

It is sometimes helpful to have a flasher on the FOH comm panel to alert the A1 to put on their headset. This can be a separate button or triggered whenever the P-P button for FOH is pressed to talk. This will get annoying very quickly.

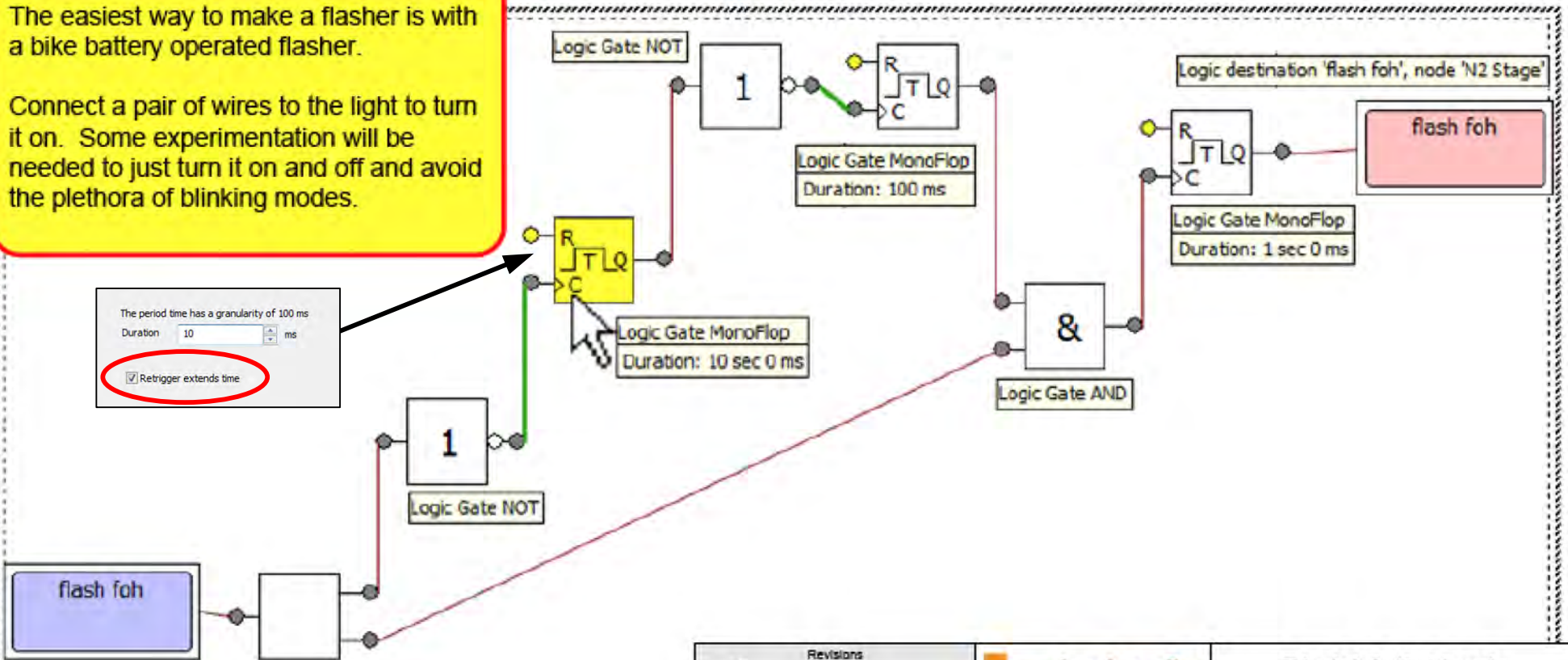
This logic triggers the light for 1 second and then goes off. It cannot be triggered again until the caller has not talked for 10 seconds. This way a conversation can be done back and forth without having the light flash each time.

Each time the caller talks the 10 second timer is restarted.

The easiest way to make a flasher is with a bike battery operated flasher.

Connect a pair of wires to the light to turn it on. Some experimentation will be needed to just turn it on and off and avoid the plethora of blinking modes.

flash foh Live state



Revisions		 320 Seventh Avenue, #264 Brooklyn, NY 11215 917-750-1134	Riedel Artist Logic	
			Limited use foh flasher	
Designer: Pete Erskine		SCALE: None	Drawn by: Pete Erskine	Drawing Number 02
		DATE: Jan 11, 2014		